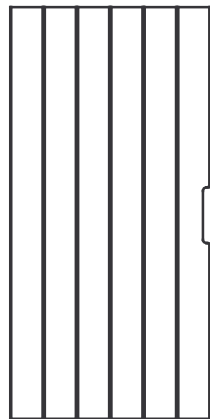
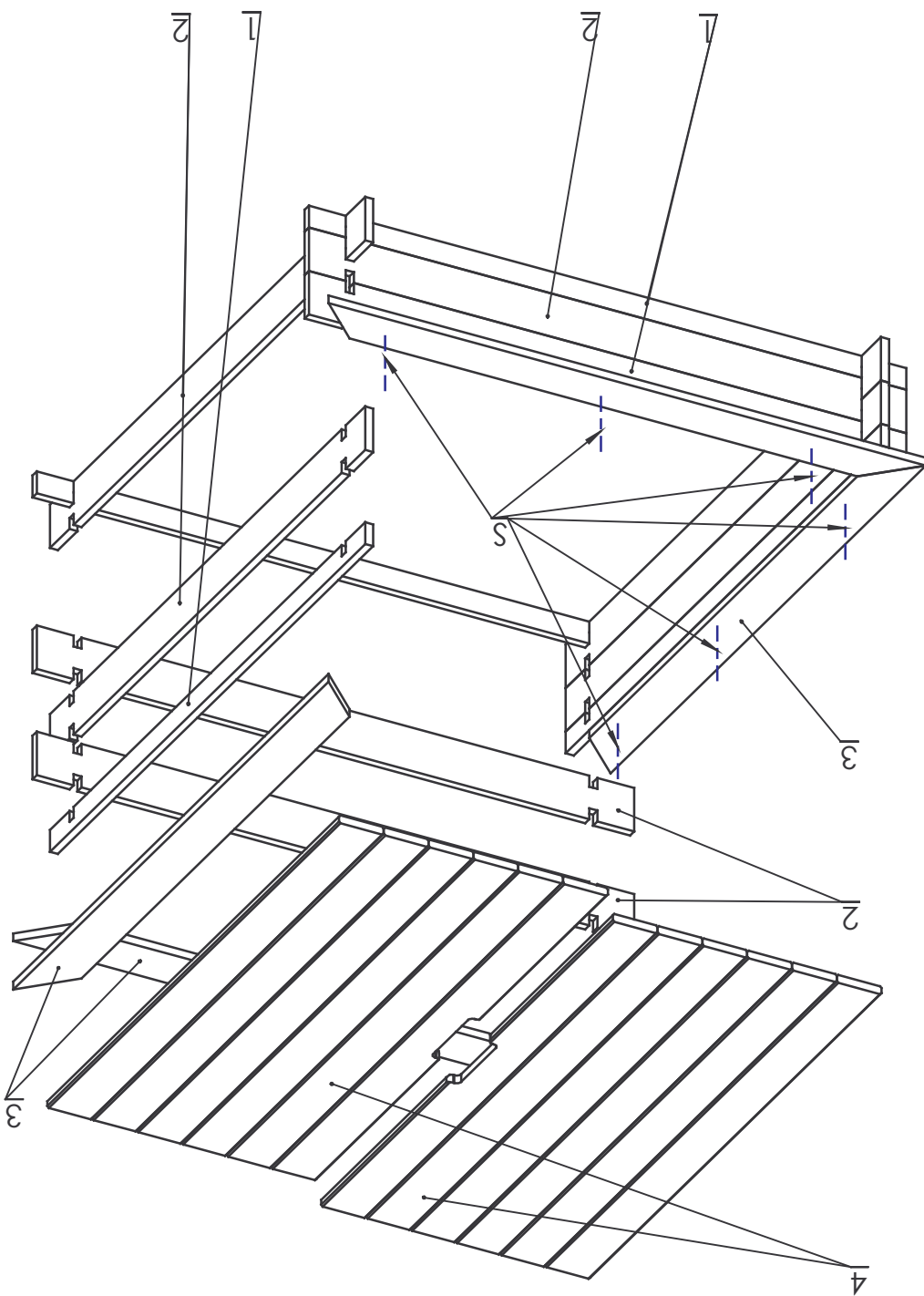


SANDKASTE 120X120

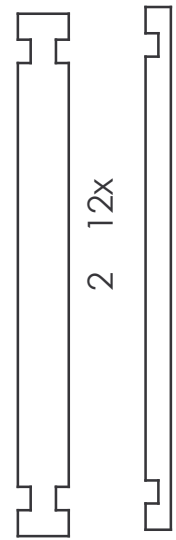
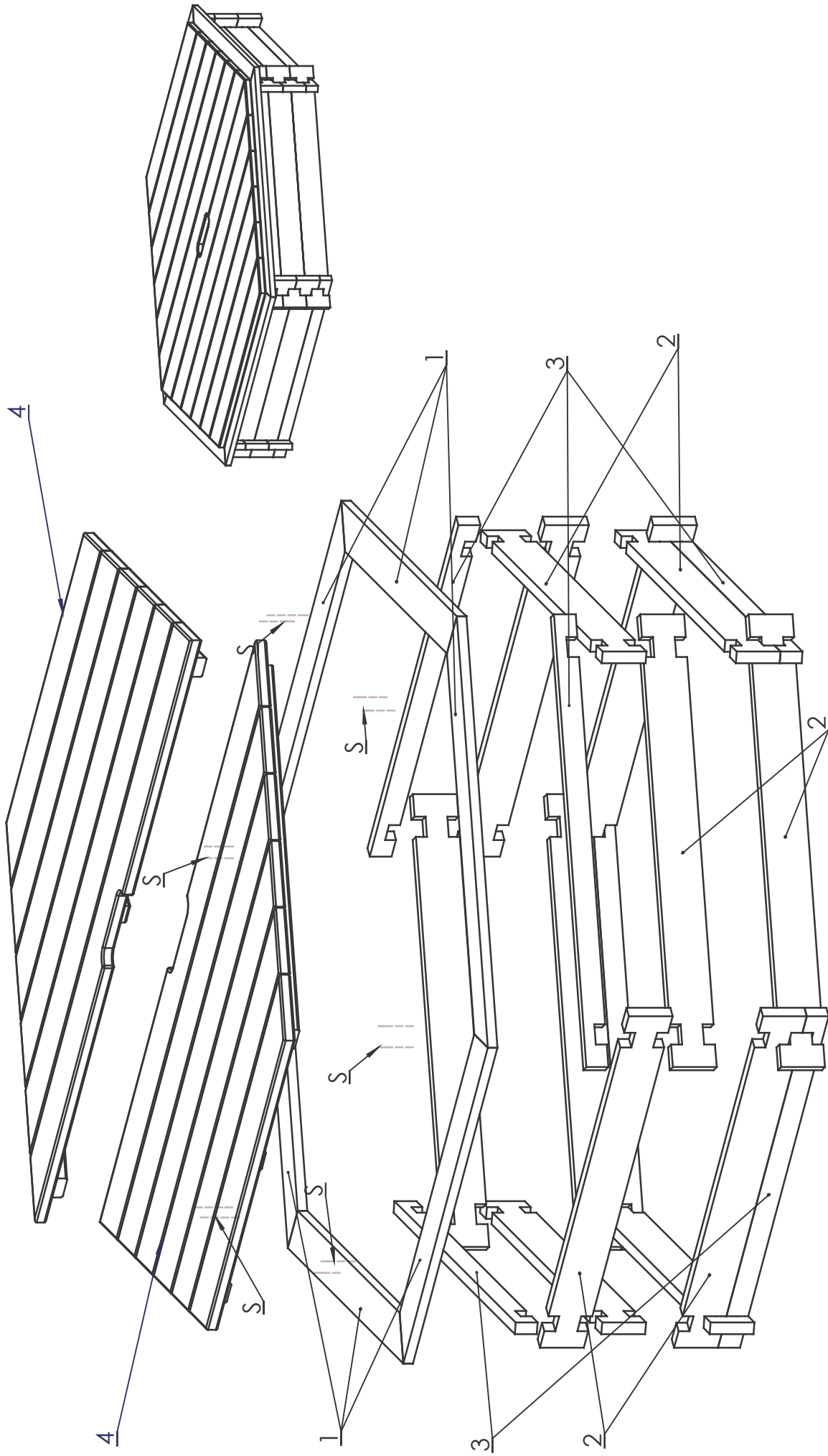


1 X 4

2 X 8

3 X 4





2 12x

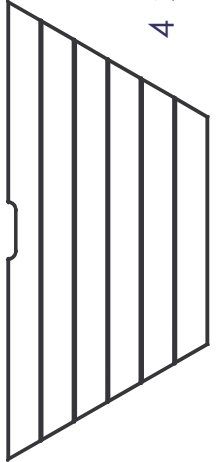
3 6x



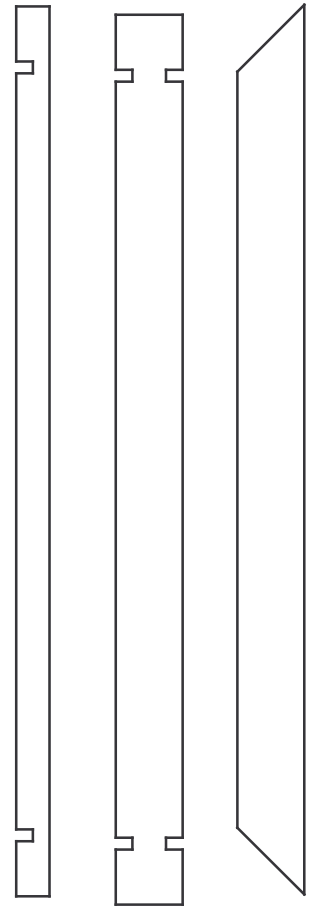
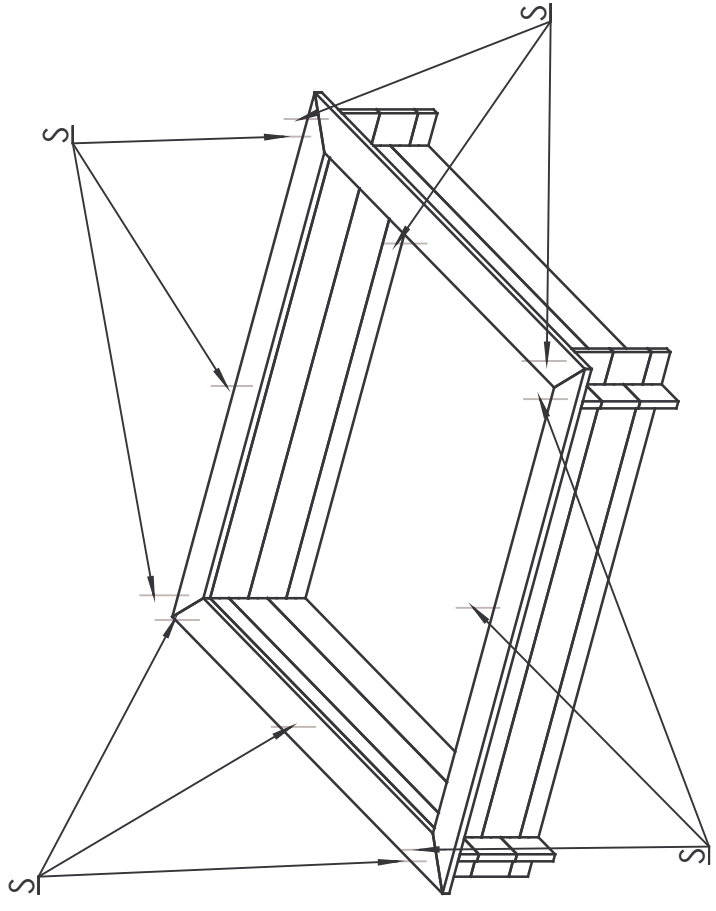
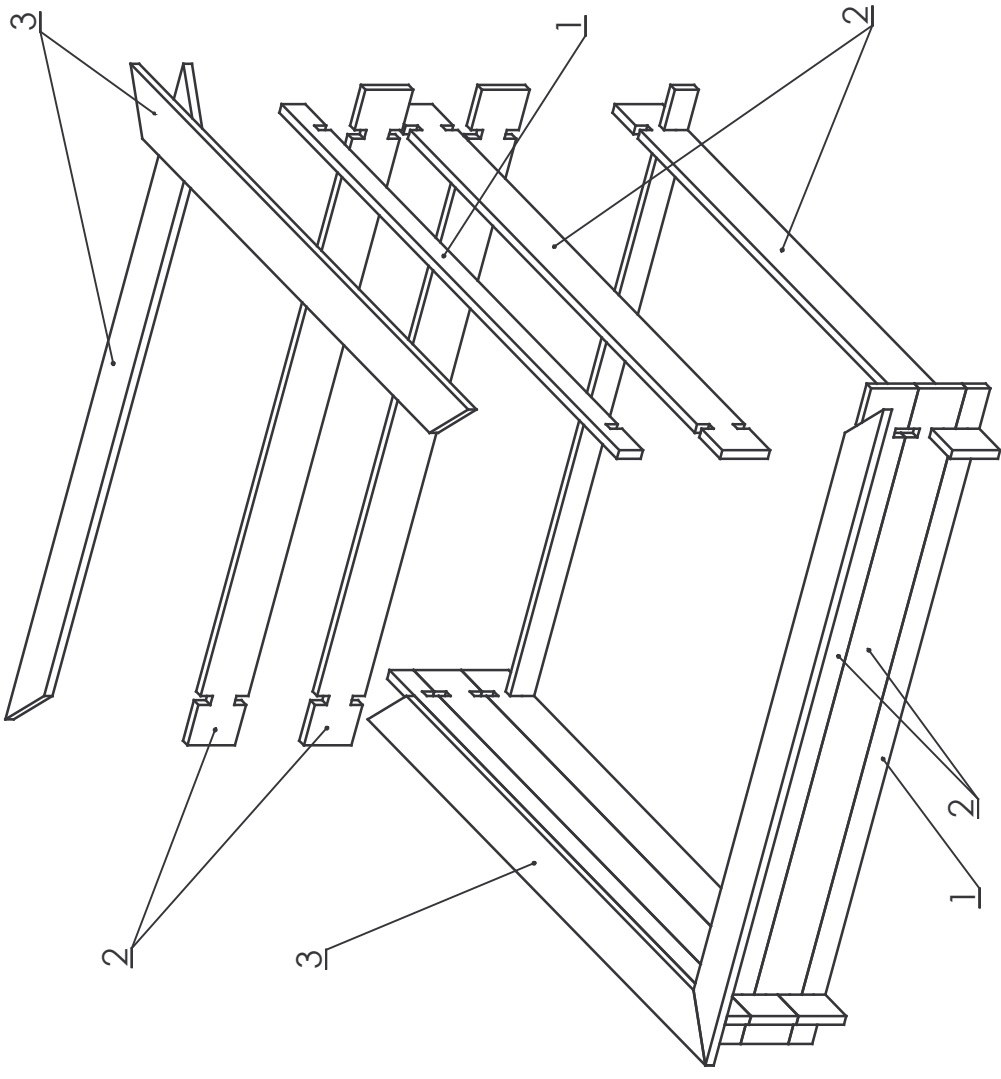
1 6x



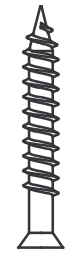
S 12x



4 x 2



- 1 X 4
- 2 X 8
- 3 X 4



S 3X40 X12