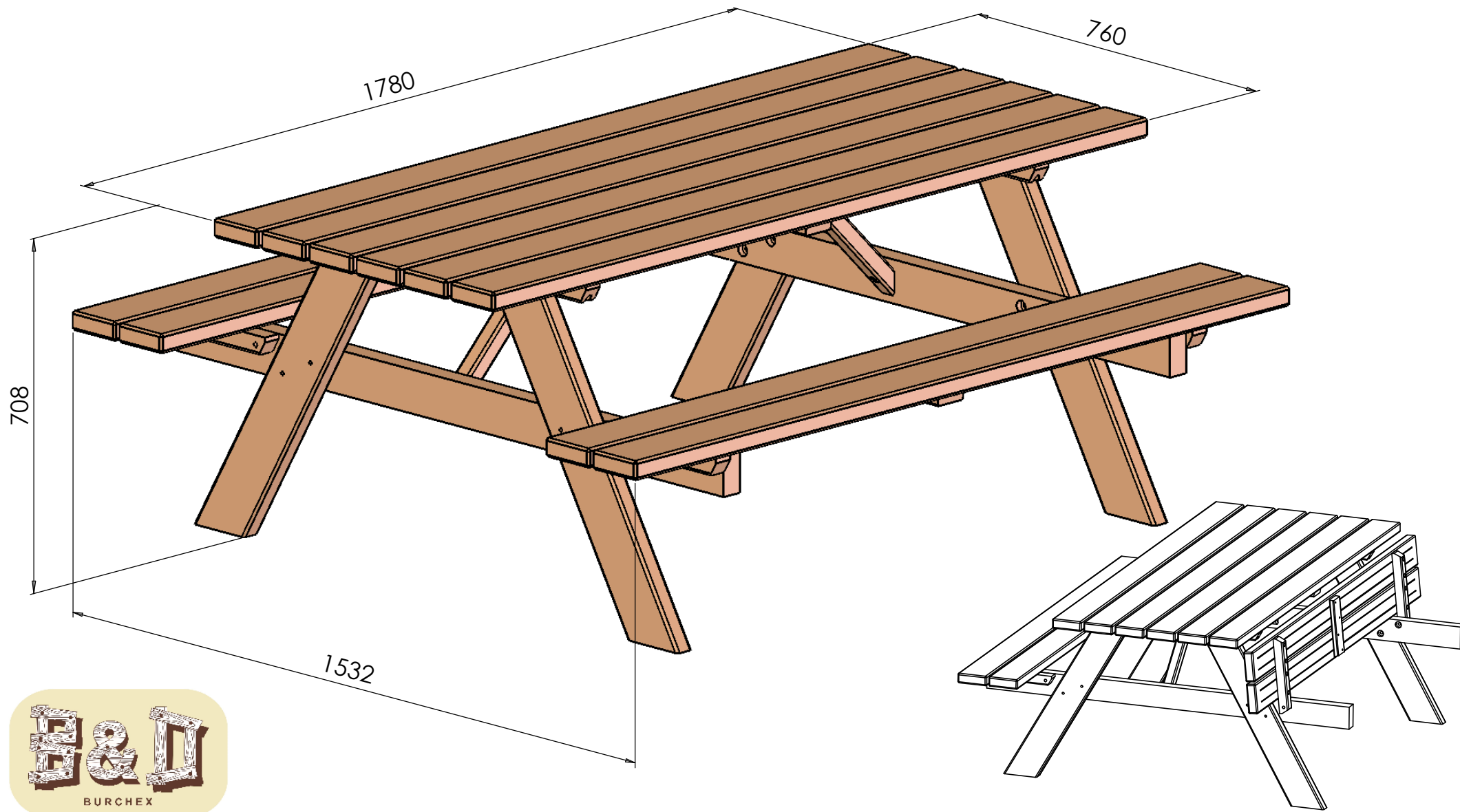
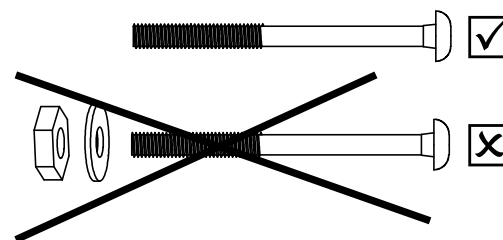
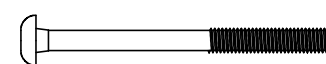
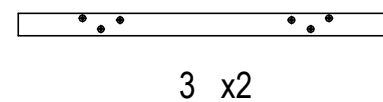
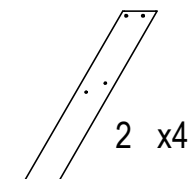
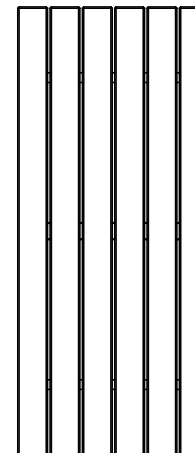
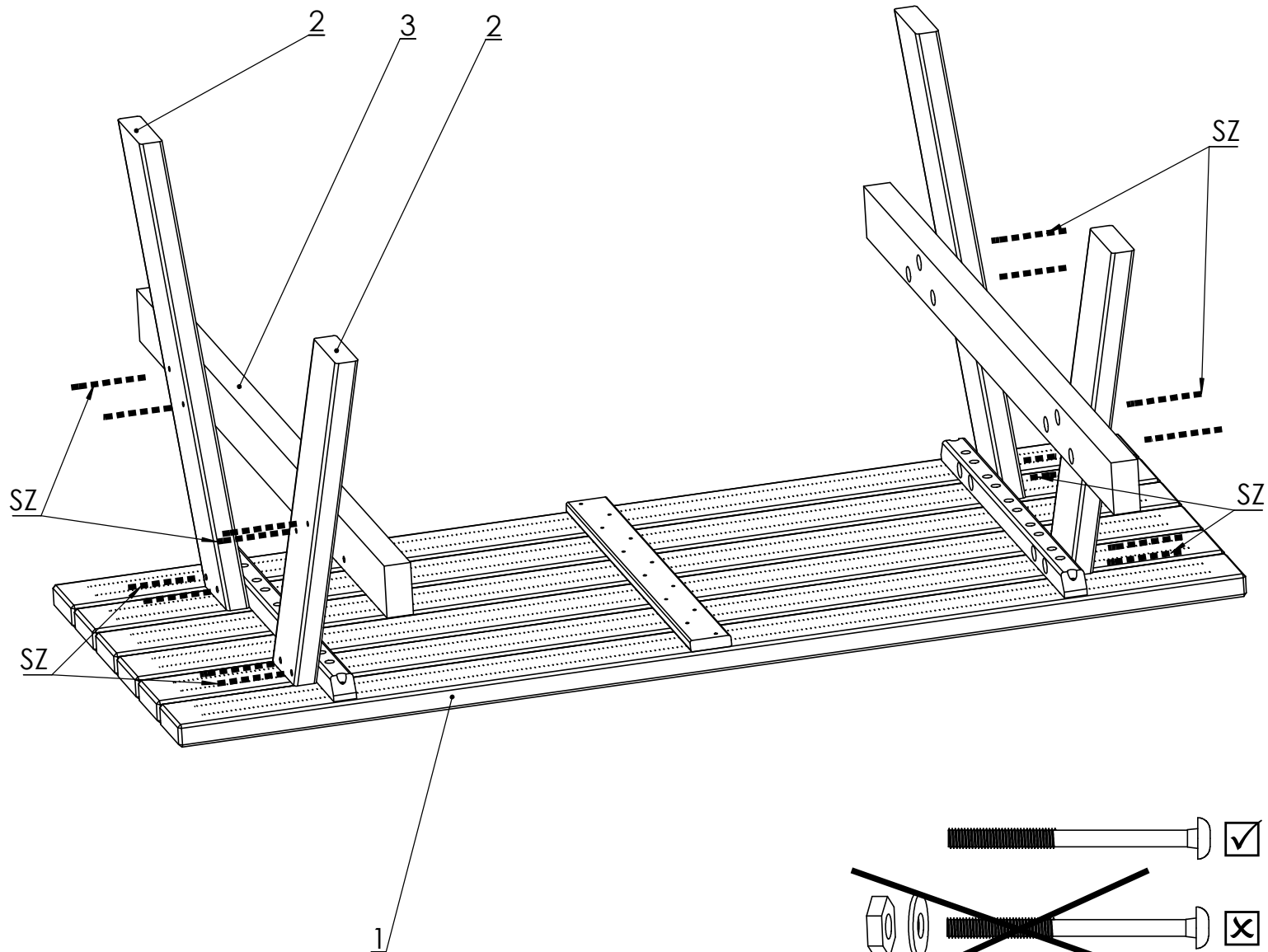


# PIKNIC BARRY

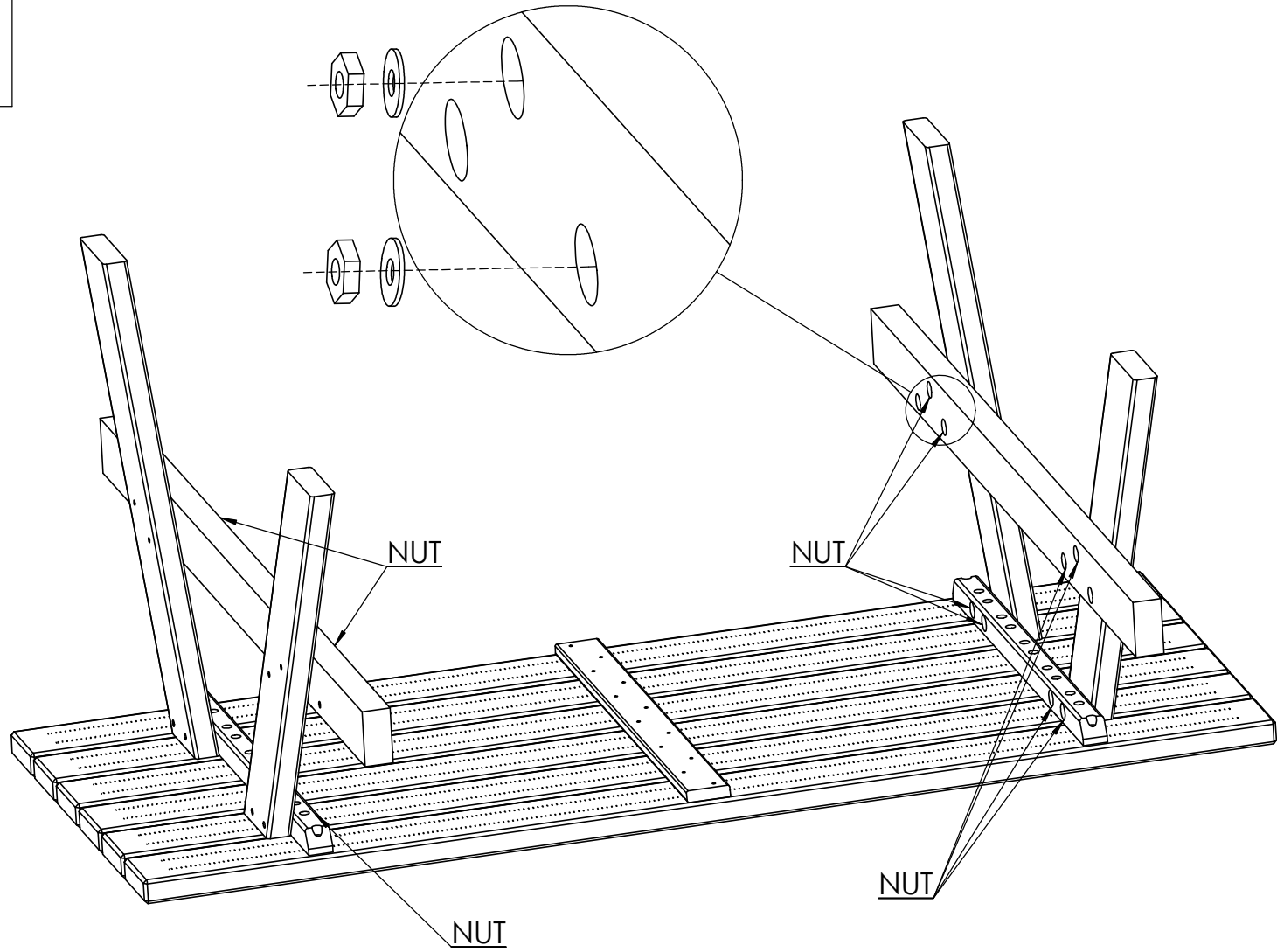
ART NO 45206

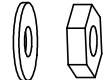


1

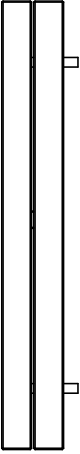
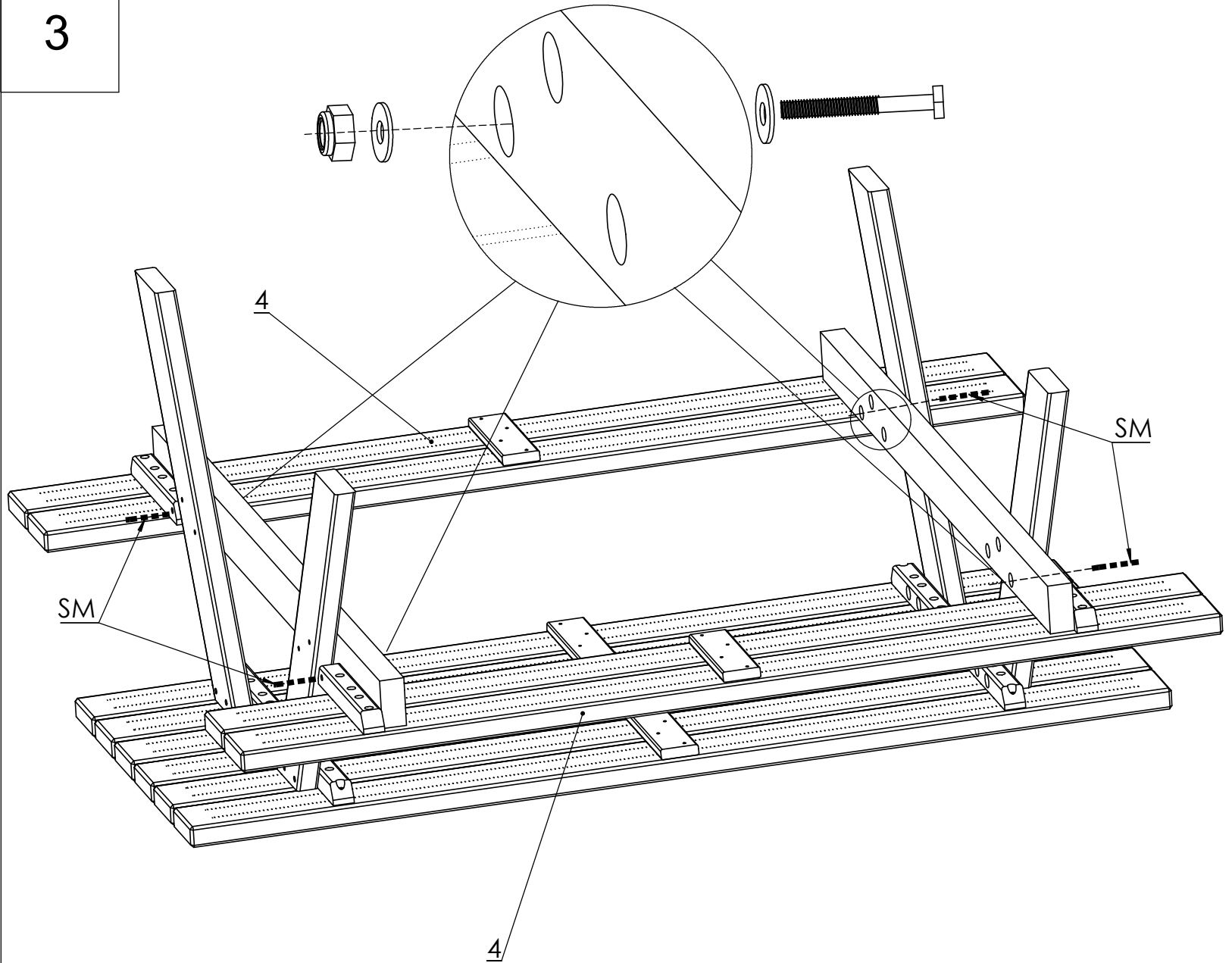


2



  
NUT M8 x 16

3

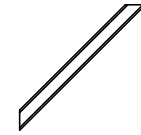
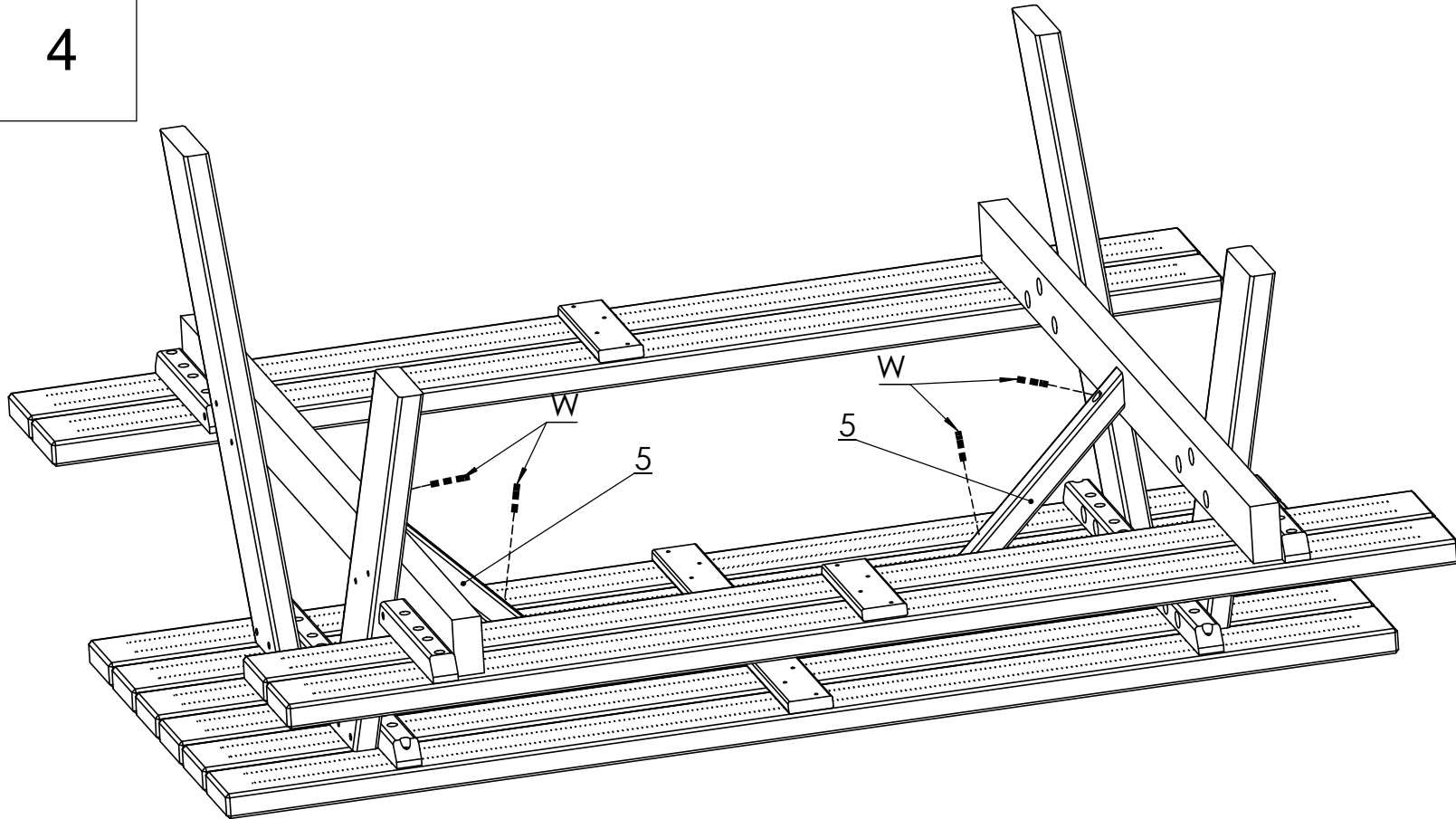


4 x2



SM M8 x 80 x 4

4



5 x 2



W 4 x 60 x 4

