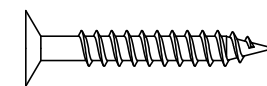
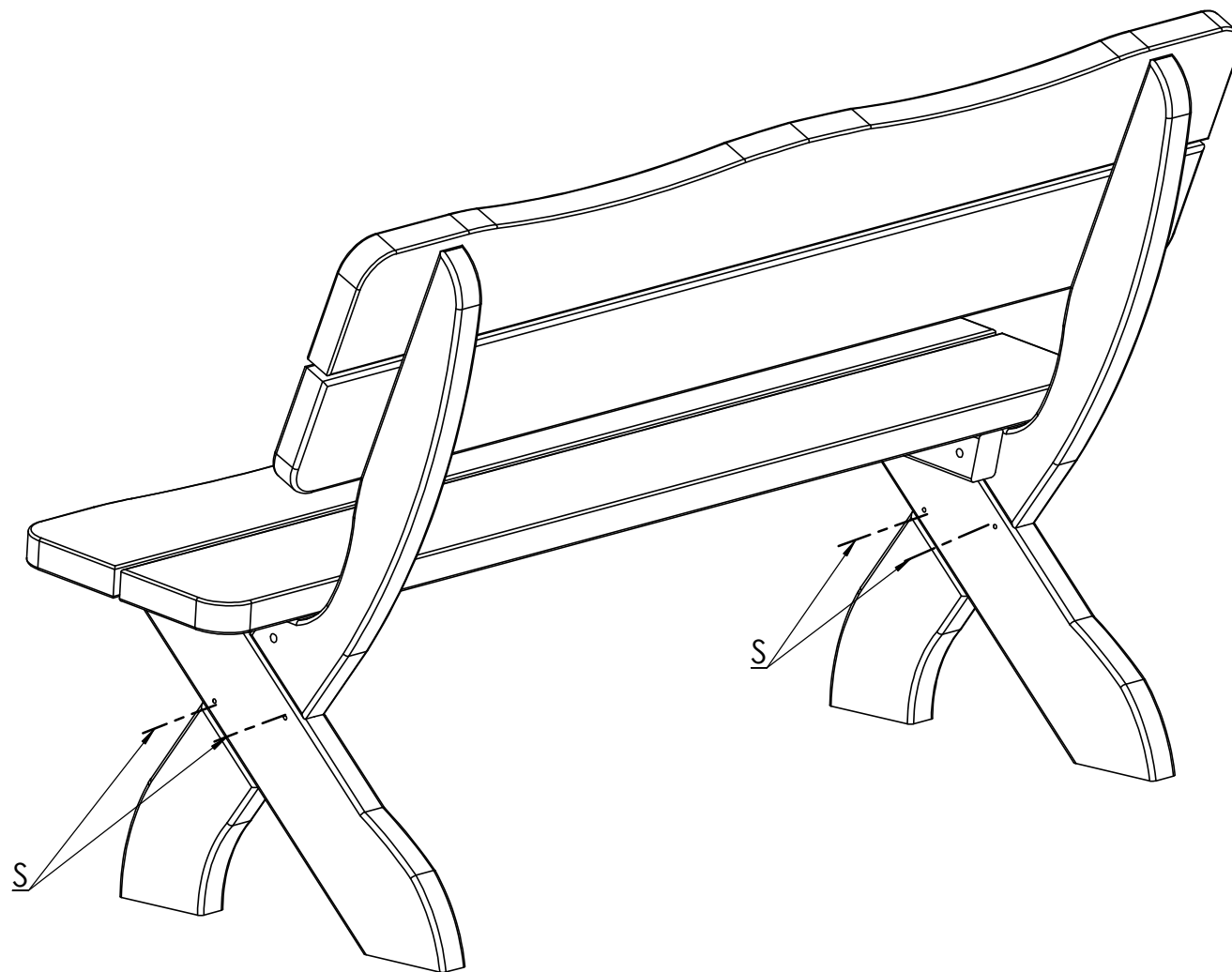


3



S 5x35 x4