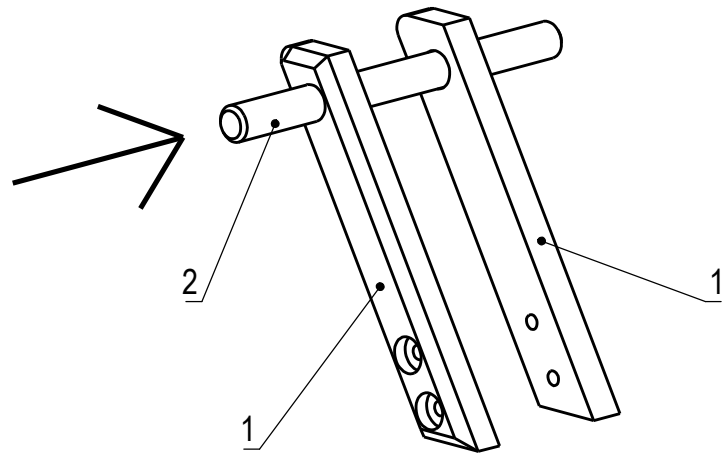
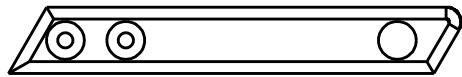
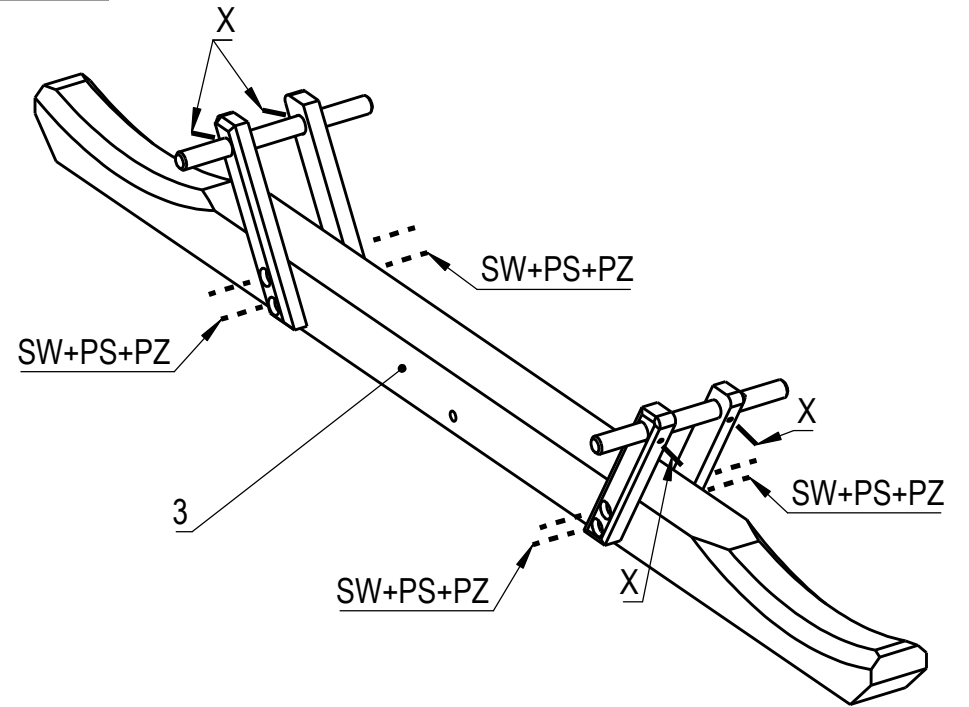


1

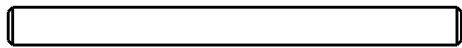


x2

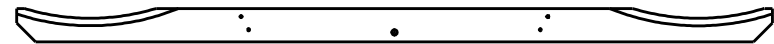
2



1 x4



2 x2



3 x1



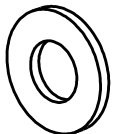
X 3x16 x4



SW 8x60 x8

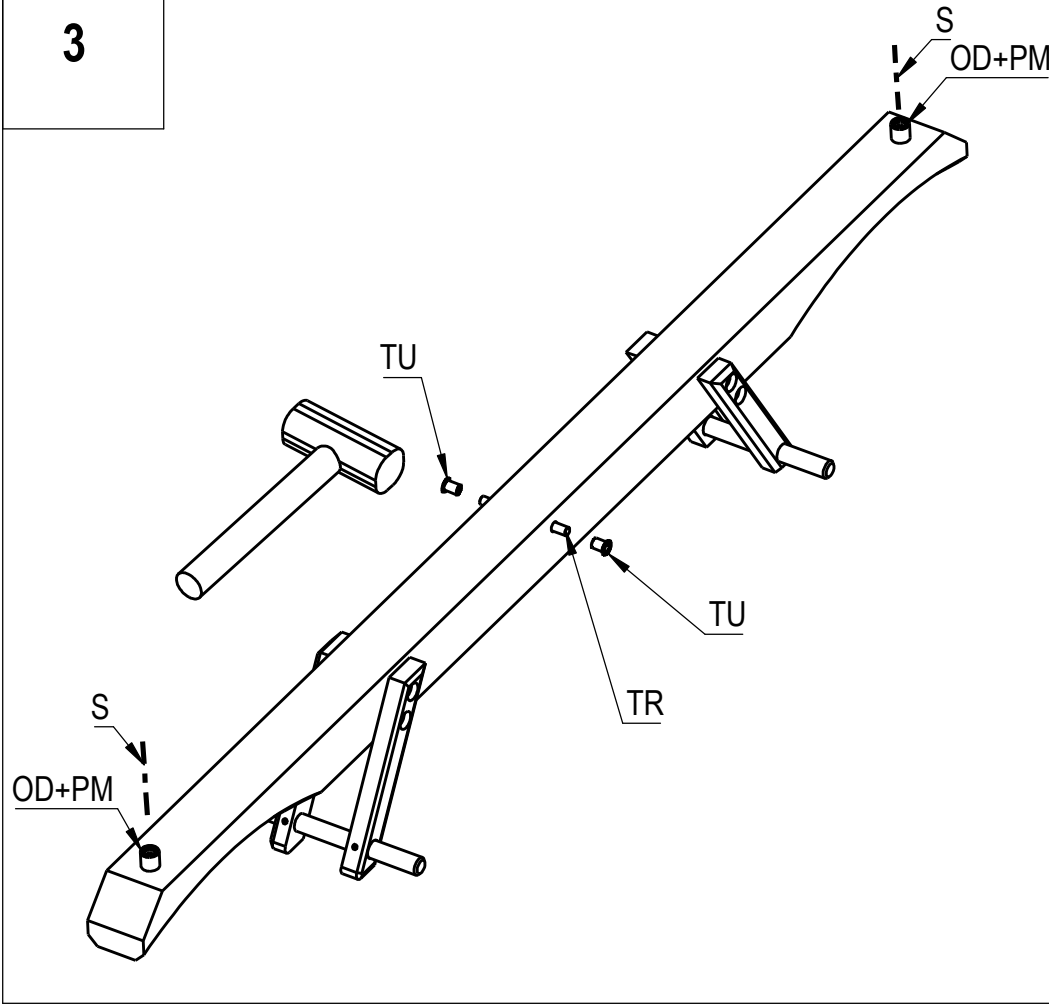


PS M 8 x8

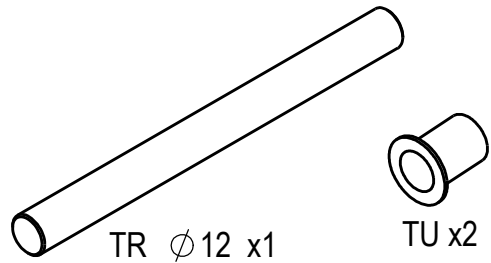
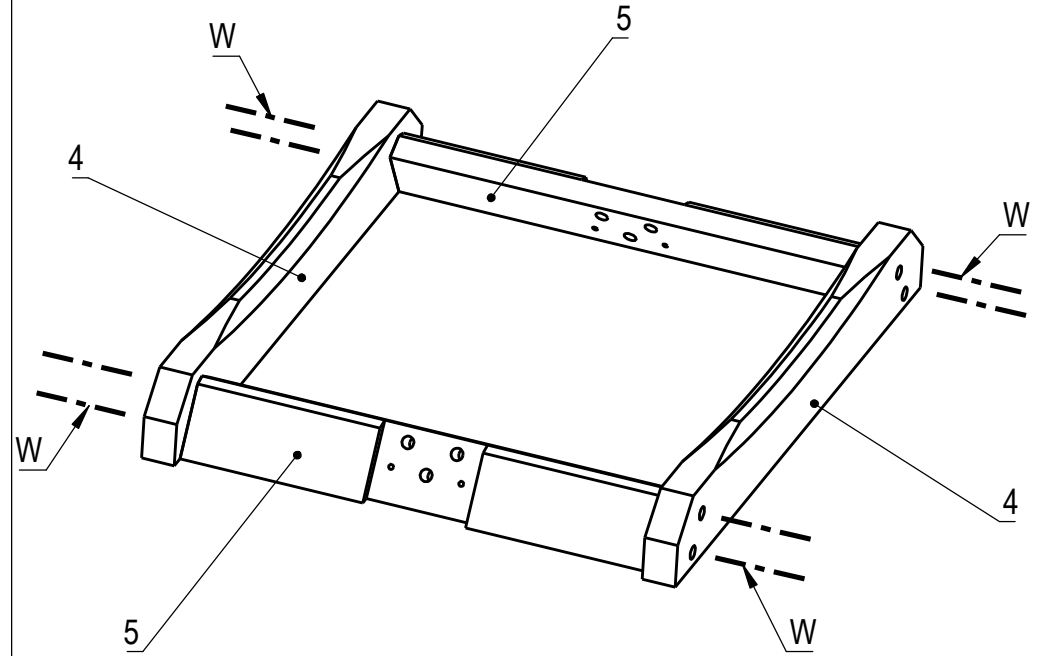


PZ M 8 x8

3

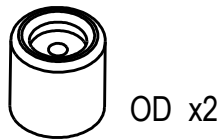


4



TR  $\phi$  12 x1

TU x2



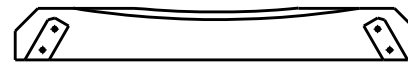
OD x2



PM M 6x12 x2



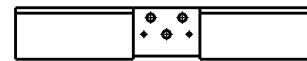
S 5x40 x2



4 x2

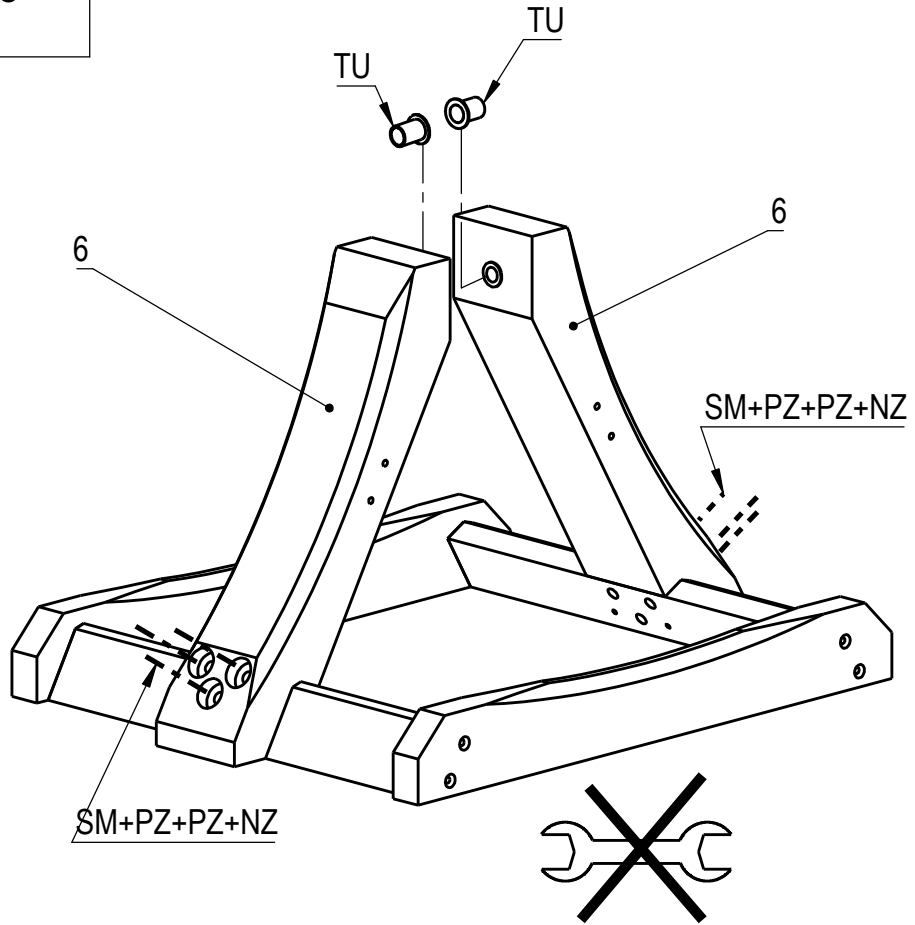


W 5x70 x8

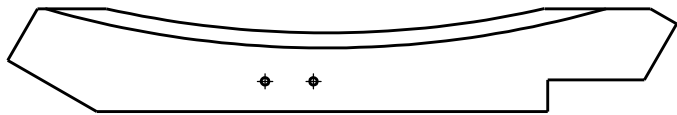
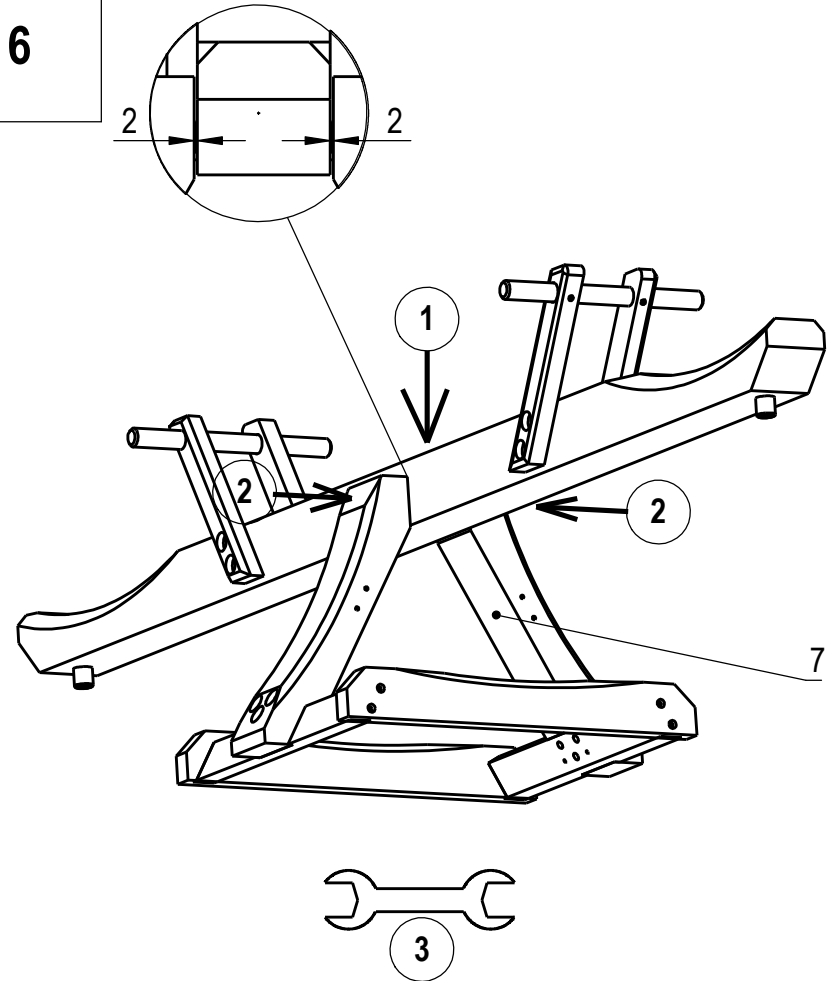


5 x2

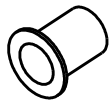
5



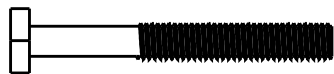
6



6 x2



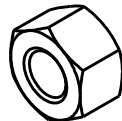
TU x2



SM M8x70 x6

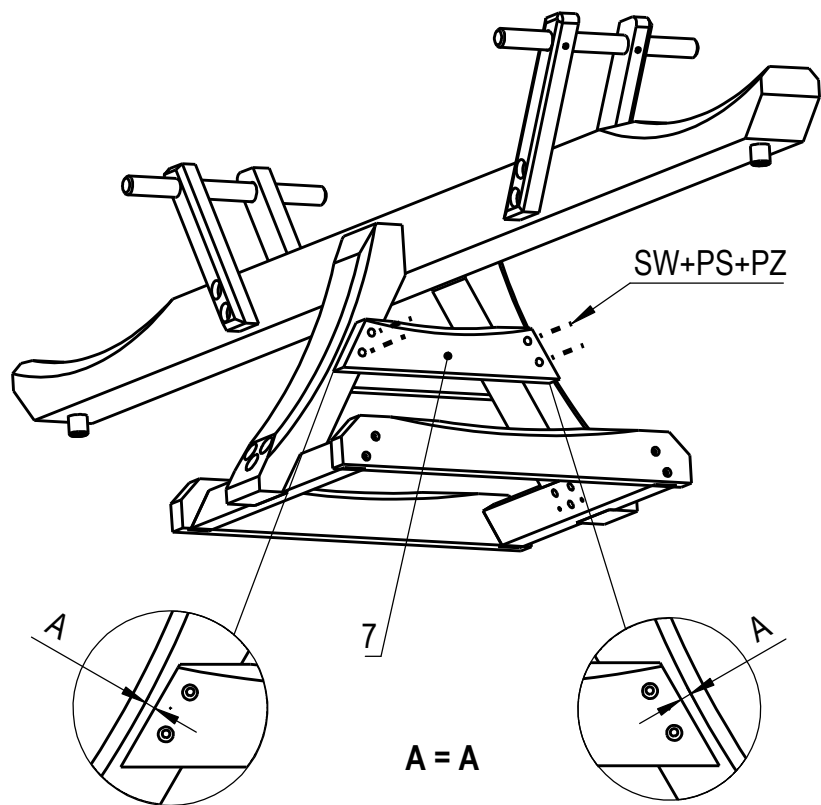


PZ M8 x12

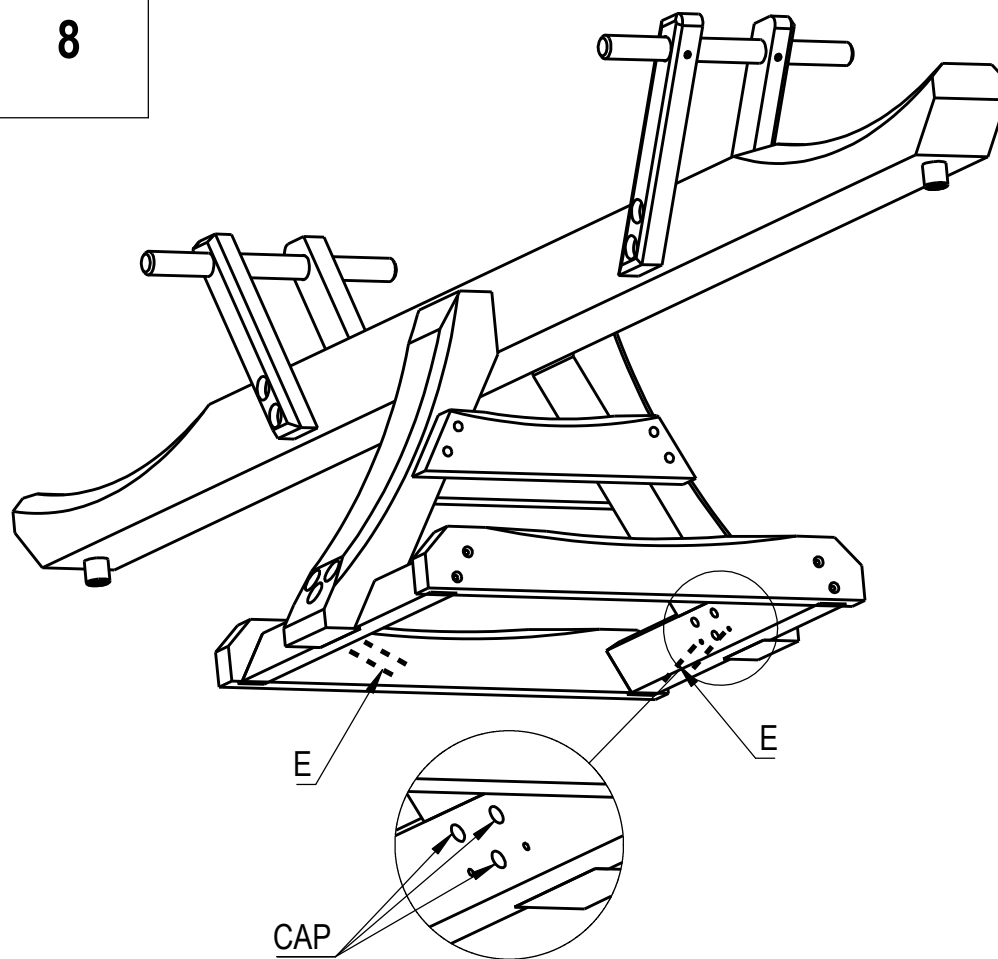


NZ M8 x6

7



8



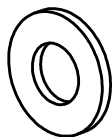
7 x2



SW 8x60 x8



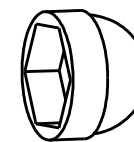
PSM 8 x8



PZ M 8 x8



E 5x50 x4



CAP x6

