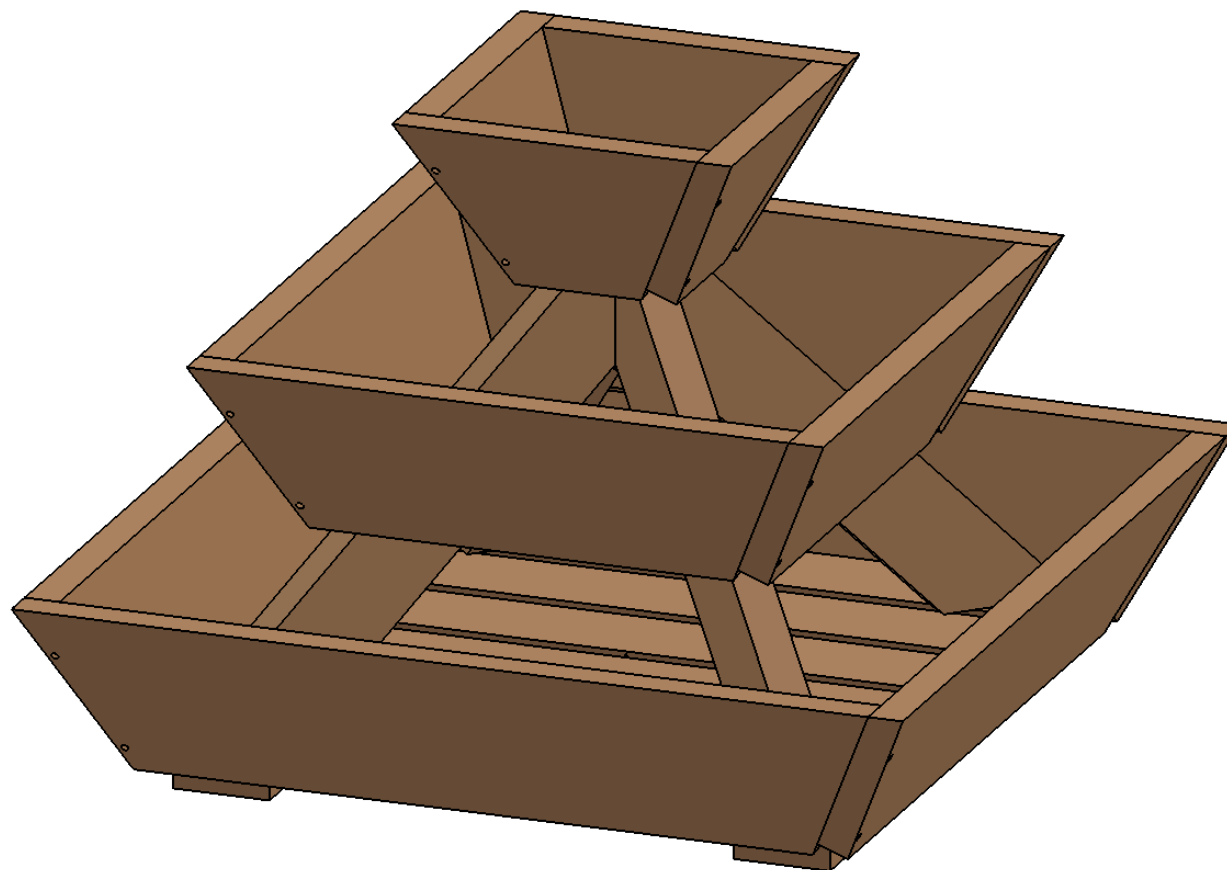
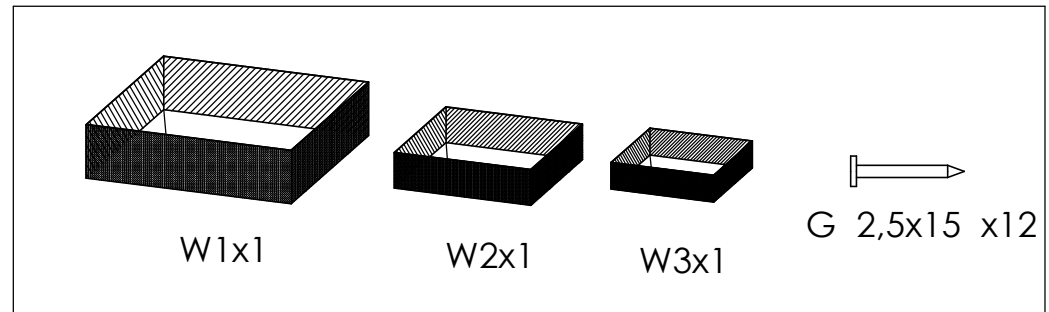
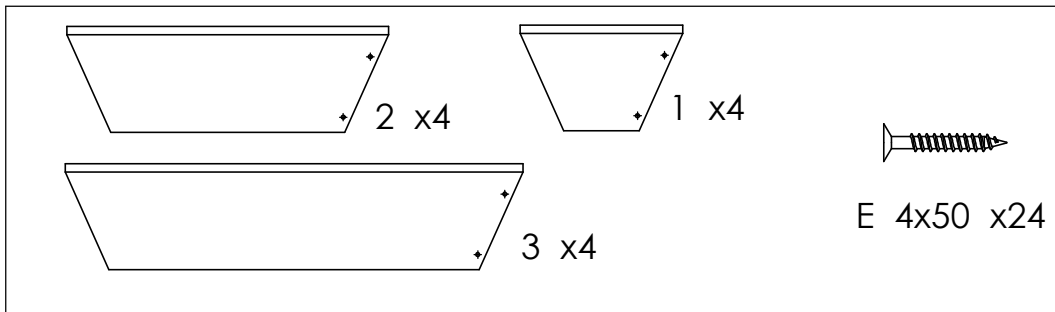
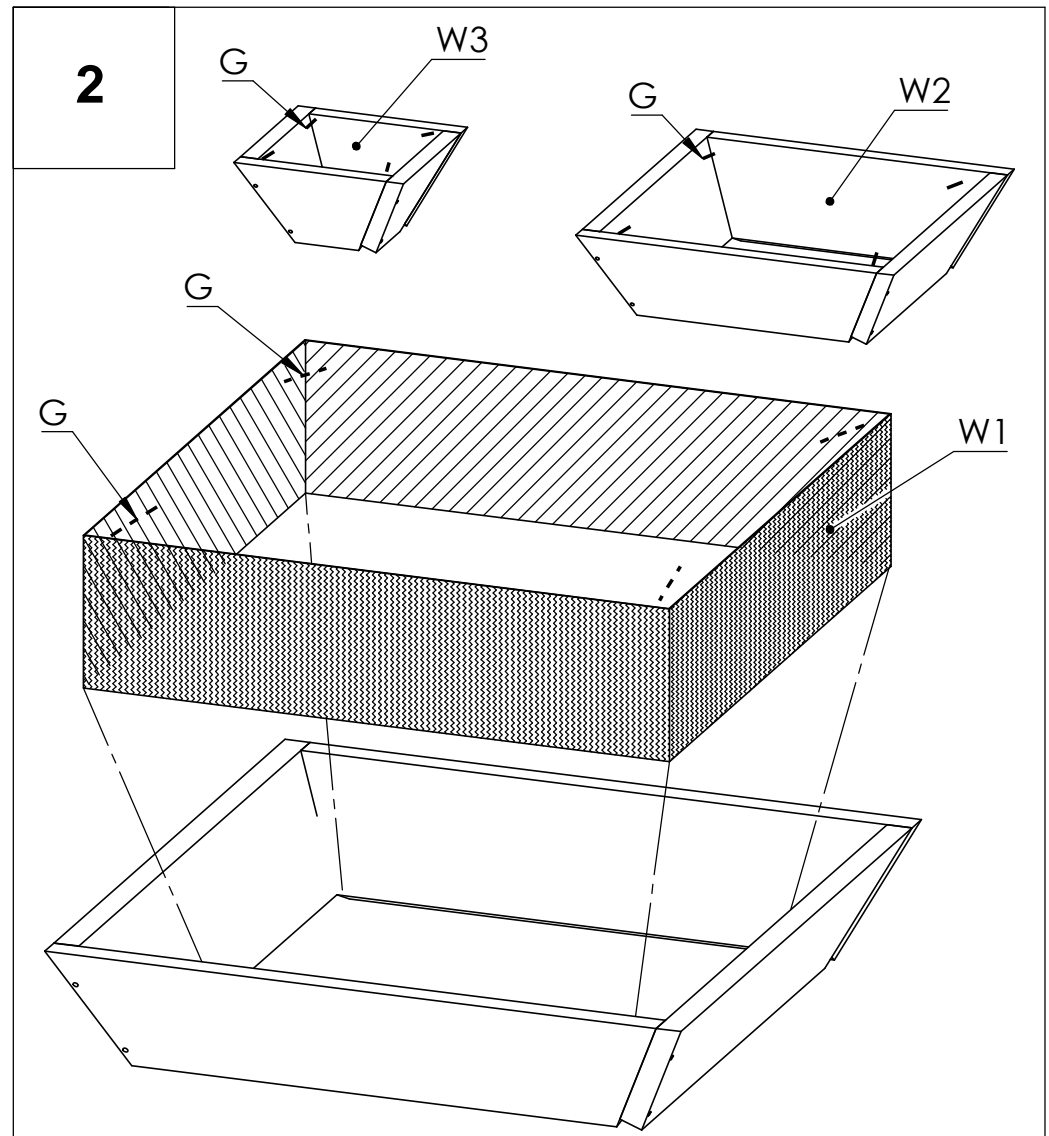
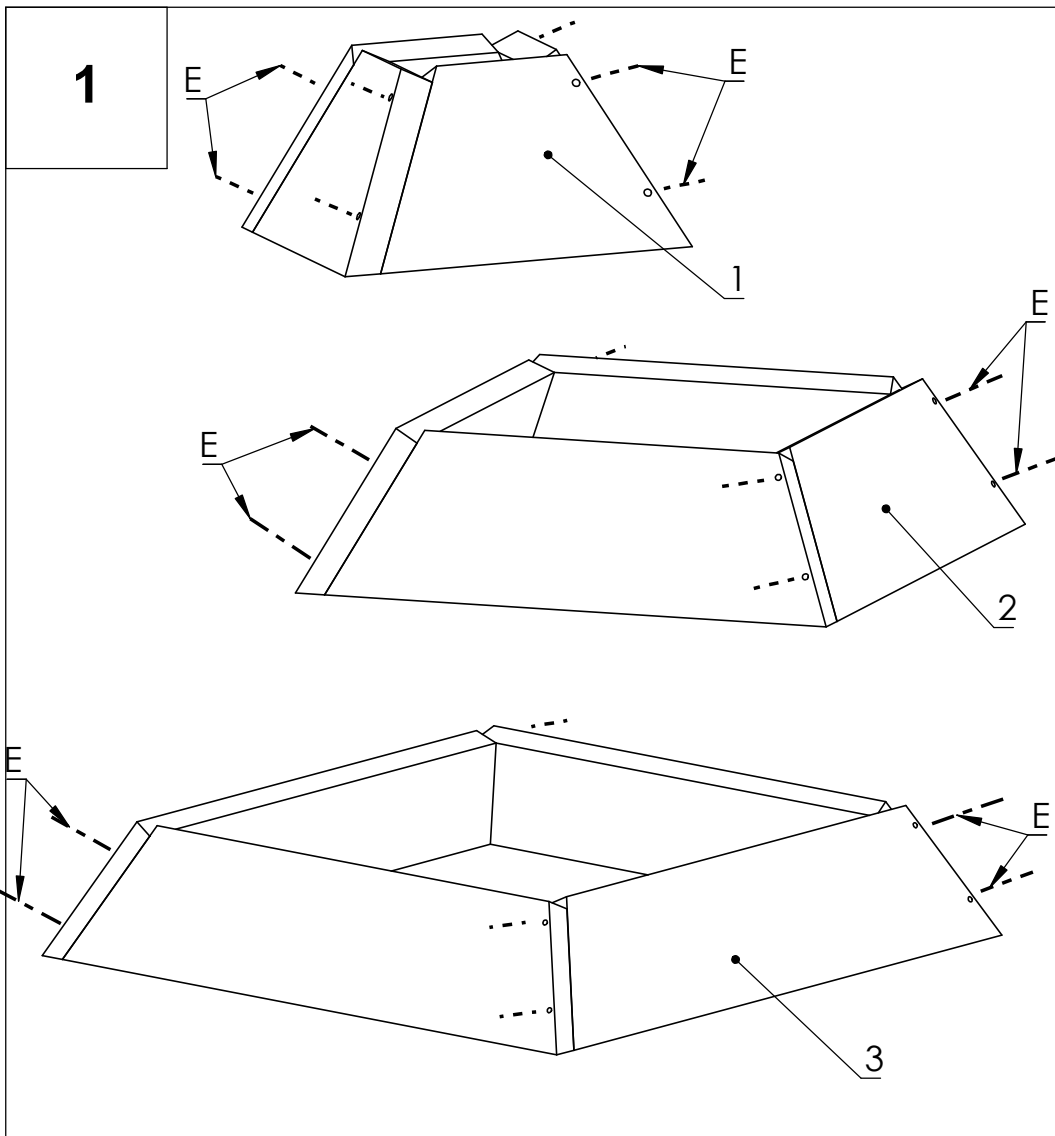


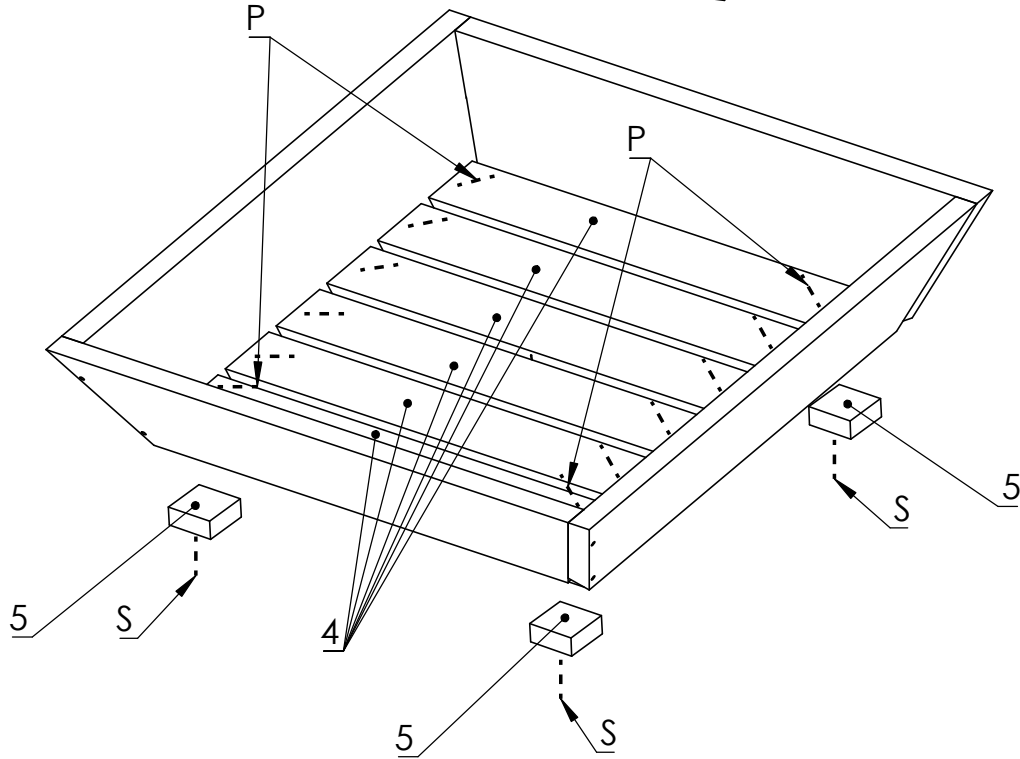
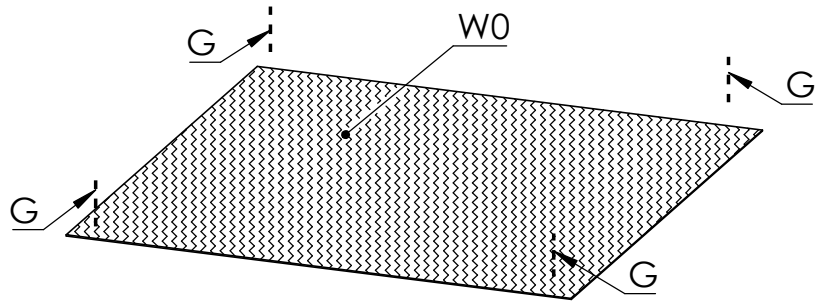
DONICA PIRAMIDA

ART. NO. 15644

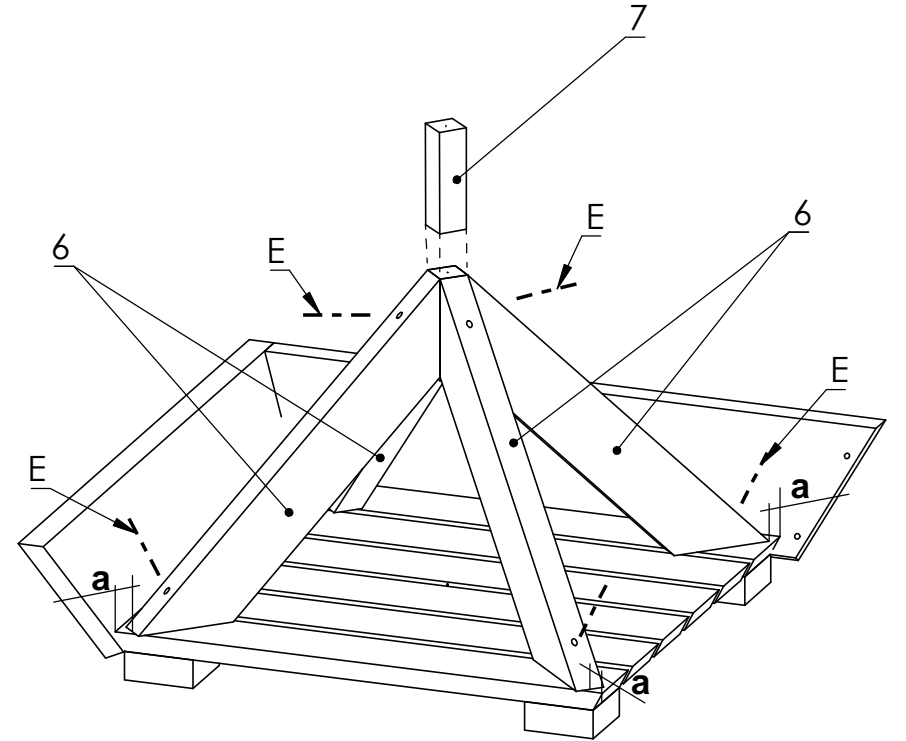




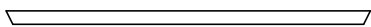
3



4



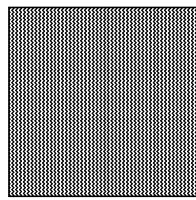
a=a=a=a



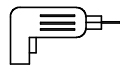
4 x 6



5 x 4

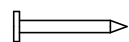


W0 x1

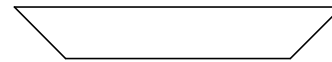


P 3x30 x12

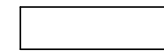
S 3,5x40 x4



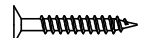
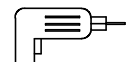
G 2,5x15 x4



6 x 4

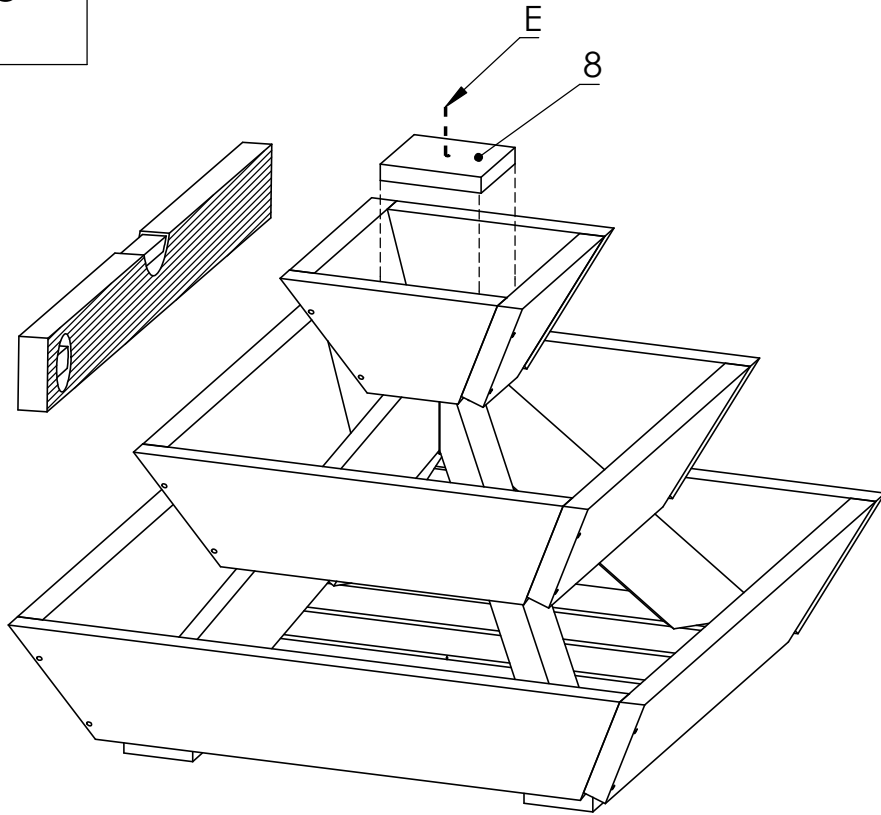


7 x 1

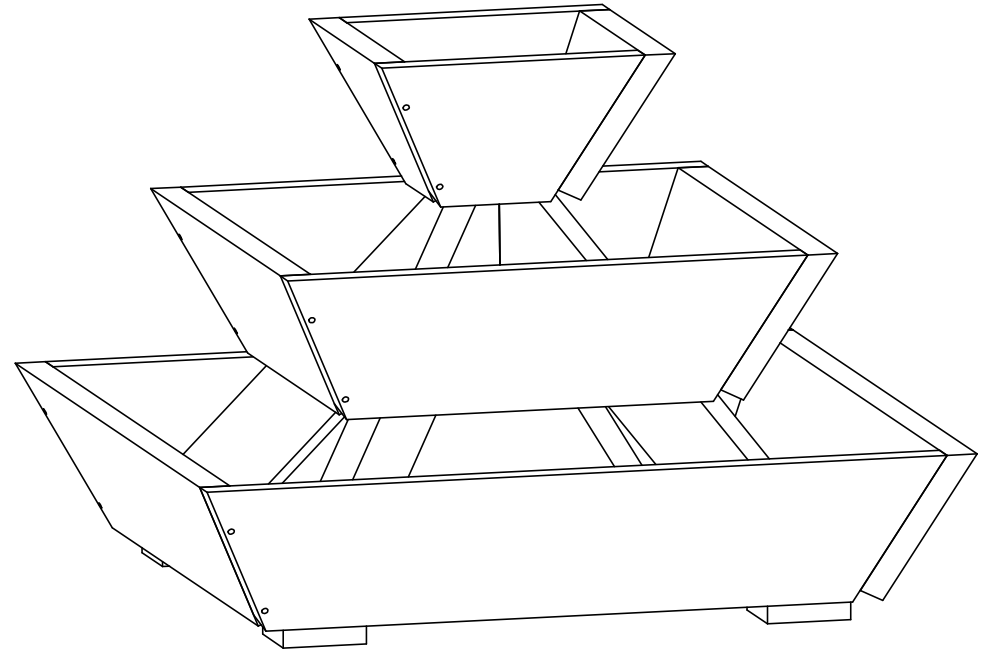


E 4x50 x8

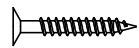
5



6



8 x1



S 3,5x40 x1

