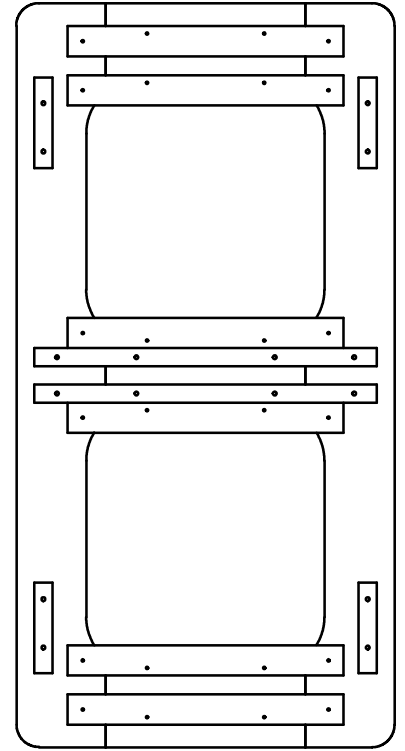
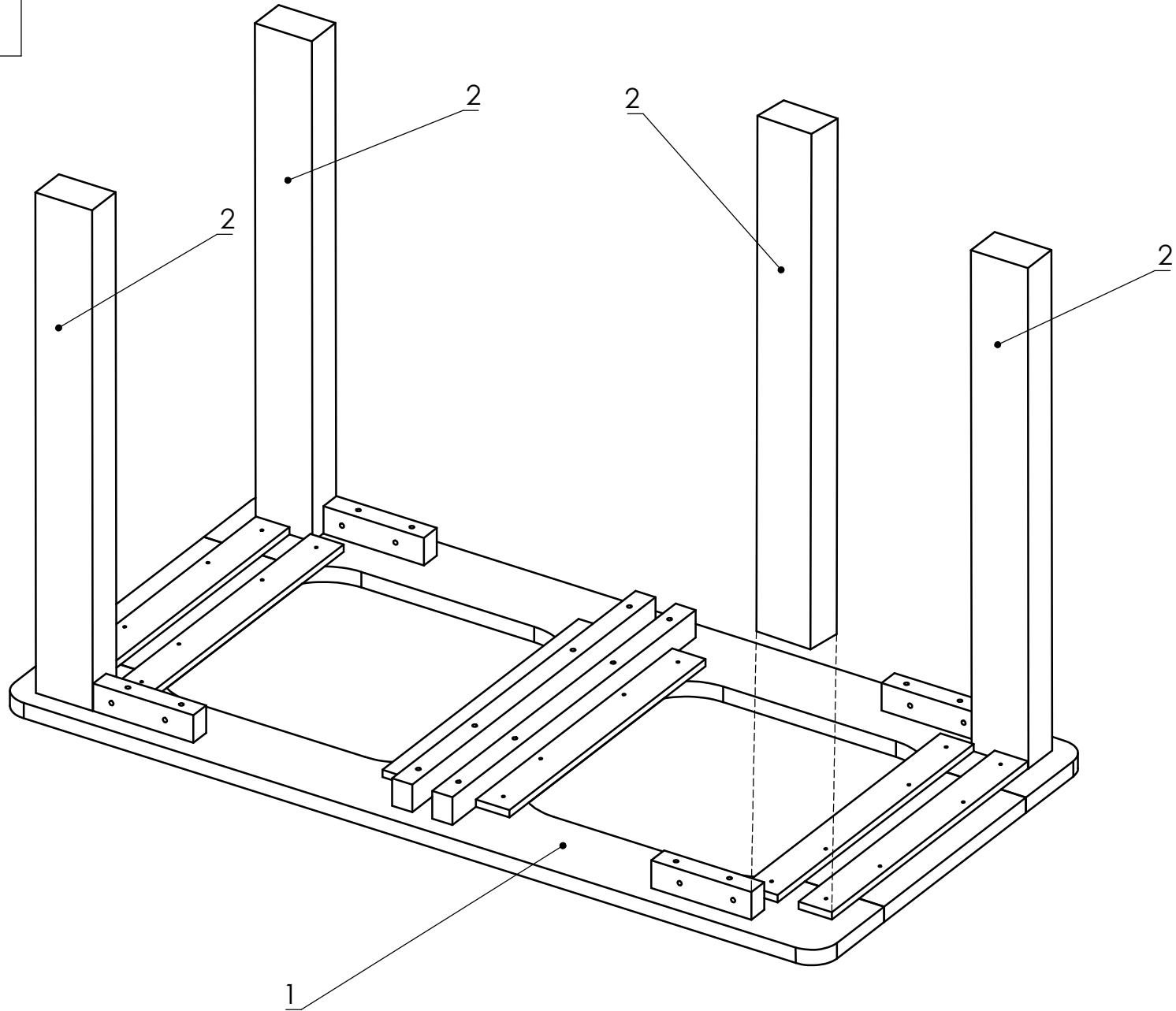


1

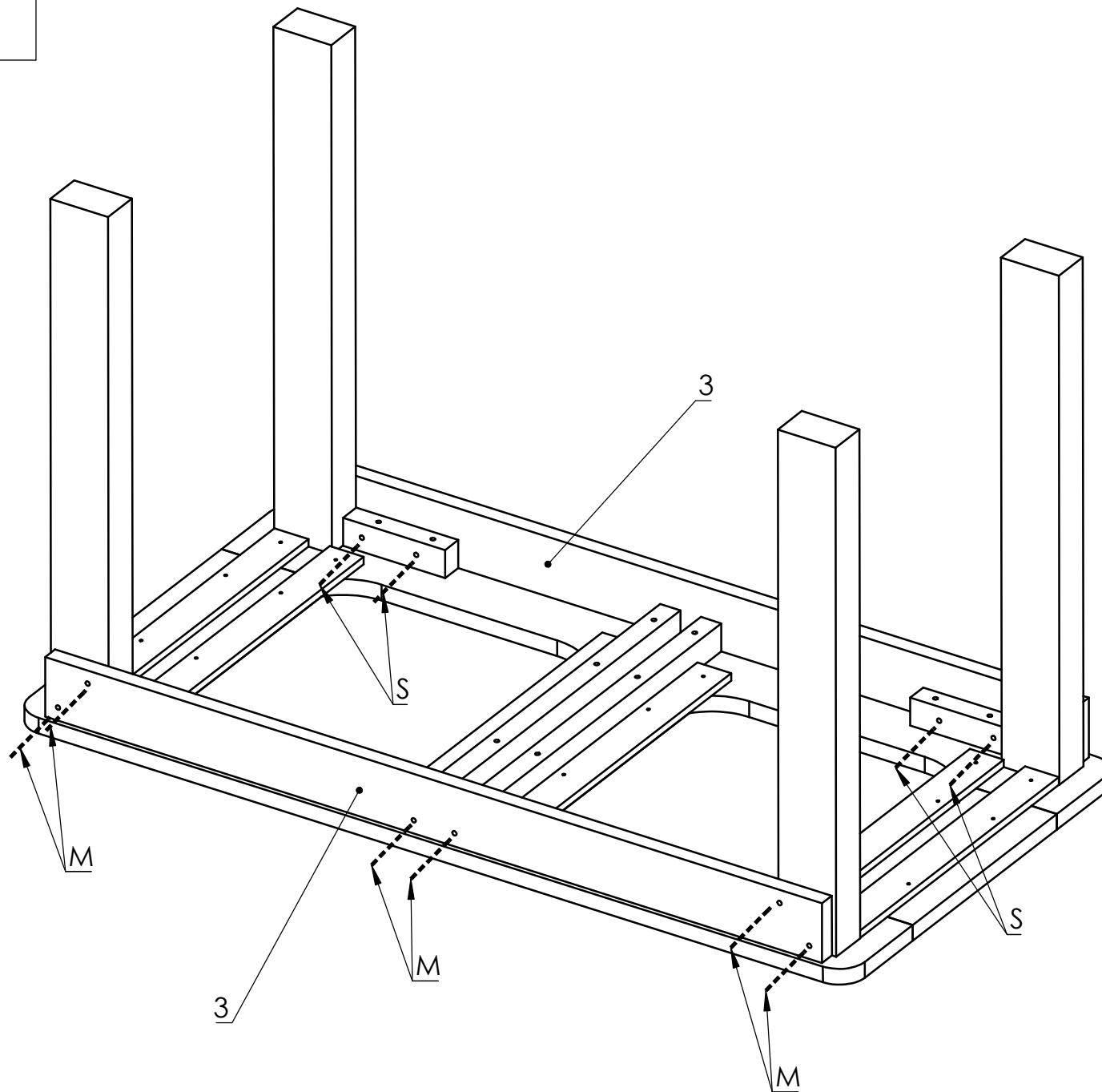


1 x1

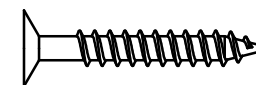


2 x4

2

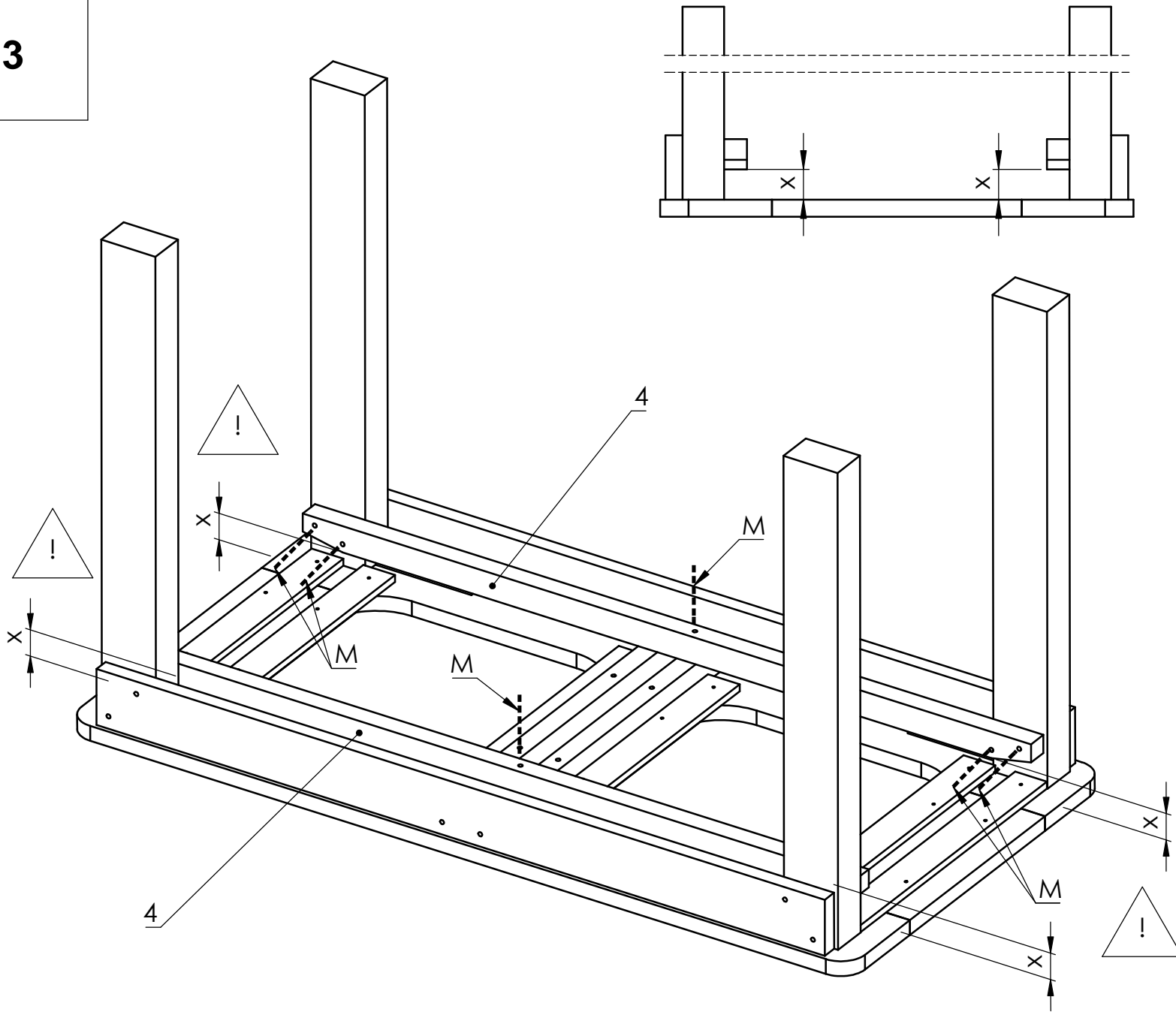


3 x2



S 3,5 x 40 x8
M 4 x 45 x12

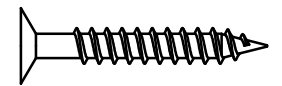
3



$x = x = x = x$

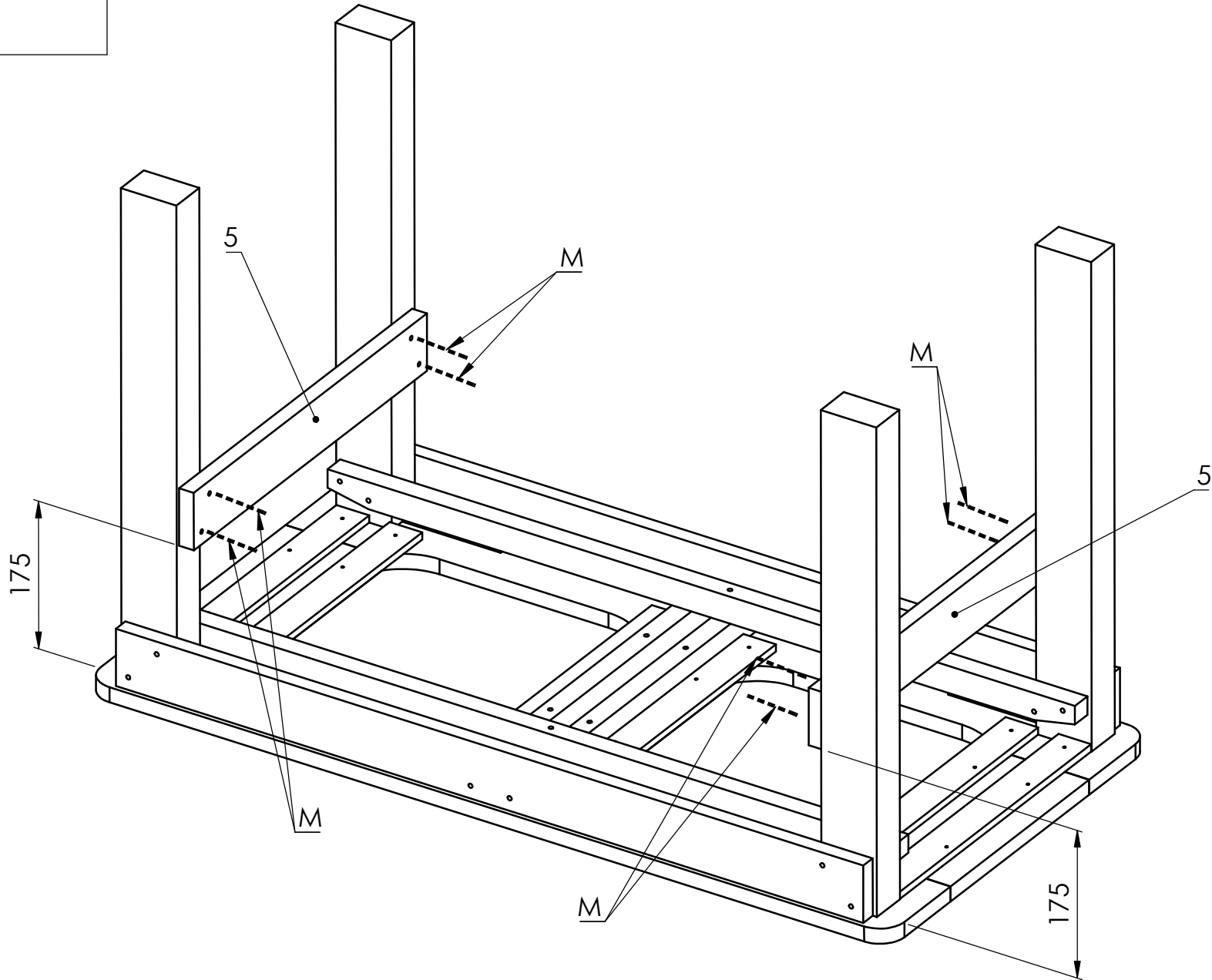


4 x2

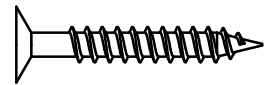


M 4 x 45 x10

4

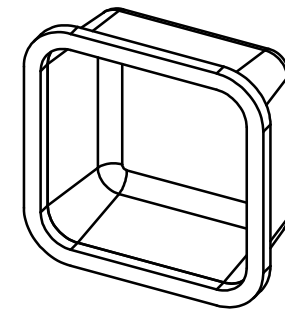
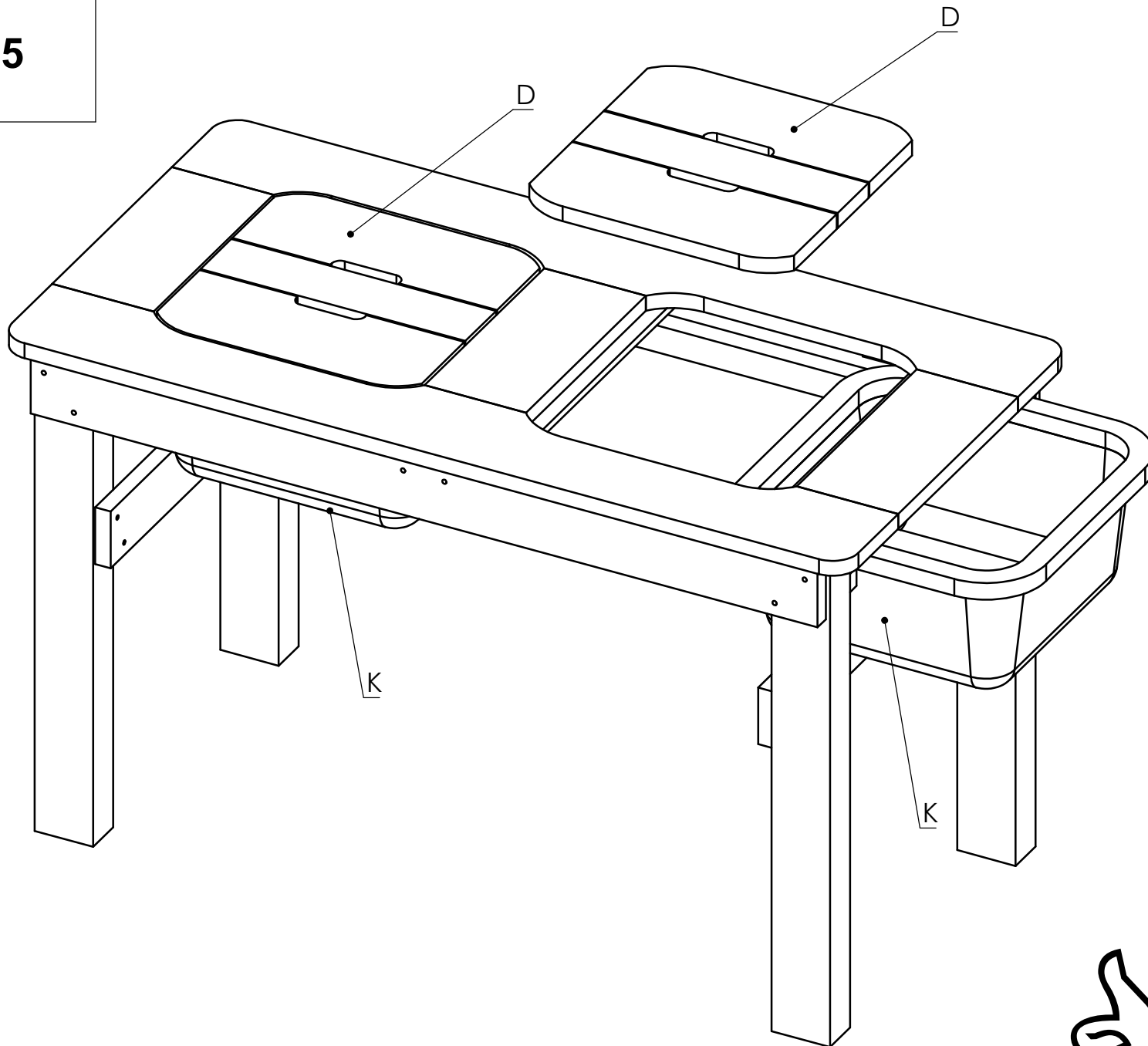


5 x 2

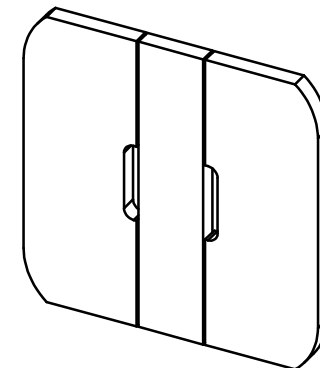


M 4 x 45 x 8

5



K x2



D x2

